

Avanza 450

selux



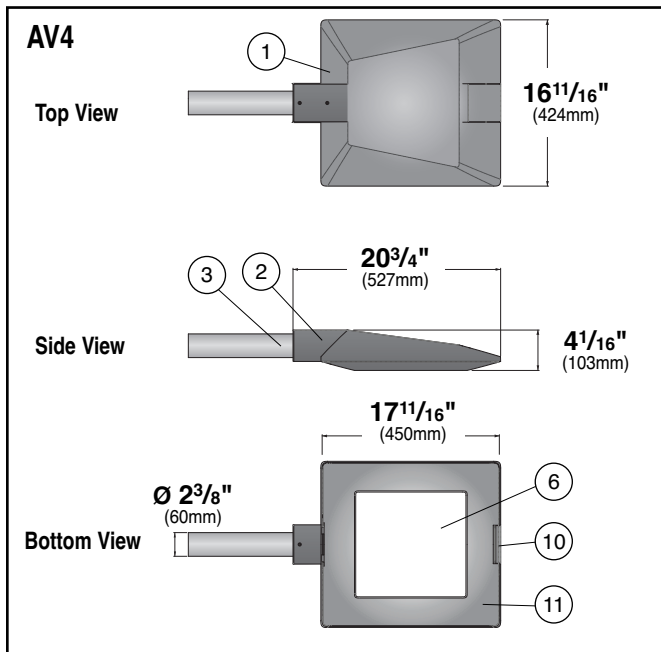
Project: _____

Type: _____ **Qty:** _____

Series	Mounting	Tilt of Mounting	Light Engine	Optics	CCT	Power Cord Length (ft.)	Finish	Voltage
AV4								
Options		Pole Series	Height	Finish	Options			

Series	Mounting	Tilt of Mounting	Light Engine	Optics	CCT	Power Cord Length (ft.)	Finish	Voltage	Options
AV4 Avanza 450	SA ⁶ Single Pole Adapter	0°	L105 1050 mA 56W	R3W Type III Distribution Wide	30 3000° K 40 4000° K	12 15 18 20 25 XX ¹	WH White BK Black BZ Bronze SV Silver SP Specify Premium Color	120 208 240 277 347 ² 480 ²	HLxx ^{4,5} Hi-Lo Switching (specify lower output level. See p. 7) PC ³ Photocell (available for all pole and arm mounting except SW and SA. Available in 120V through 277V. For 347V, please consult factory. See p. 5 for details) DM Dimming (0-10V)
	S1 Single Short Arm	5°	L700 700mA 38W	R3N Type III Distribution Narrow					
	S2 Double Short Arm @180°								
	L1 Single Long Arm								
	L2 Double Long Arm @180°								
SW Short Arm Wall Mount			R5 Type V Distribution						

¹ Add length of arm and height of pole to determine power cord length. ² with internal step-down transformer ³ Not available with SW and SA Mounting. ⁴ 120V, 240V 277V only. ⁵ L105 Light Engine only. ⁶ Not available at 5°



1. Luminaire Housing - made from high pressure die-cast, low copper aluminum alloy.

2. Fitter - Part of upper aluminum housing for direct connection to standard Ø 2 3/8" (60mm) short and long arms, as well as specially designed die cast pole adapter.

3. Mounting Arm - Welded steel with powder coat finish. To fit Ø 3" Tenon.

Tenon.

4. Pole Adapter - (not shown) Made from high pressure die-cast, low copper aluminum alloy. To fit Ø 3" Tenon.

5. Gasketing - (not shown) UV and Ozone Resistant Silicone gasket provides seal at door and glass opening.

6. Glass Lens - Tempered and screened glass lens protects and helps seal optical chamber.

7. Optics - (not shown) High precision injection molded cross-beam technology reflectors are vacuum metalized. IDA approved "Dark Sky Friendly" at 0° Mounting.

8. LED Array - (not shown) LEDs mounted to PC boards and directly attached to upper aluminum housing for maximum LED performance and life. For future upgrades, light engine can be removed without tools.

9. LED Driver - (not shown) LEDs are driven by RoHS compliant high-efficiency driver. Minimum starting temperature is -35°C (-31°F).

10. Tool-Less Latch - Tool-less die cast aluminum latch for easy access to light engine.

11. Access Door - Lower casting features tempered glass lens and a built-in hinge that attaches to upper casting on mounting arm side. Other side is secured with tool-less latch for ease of maintenance.

12. Surge Protection - (not shown) Designed to protect luminaire from electrical surge (up to 10kA).

13. Hi-Lo Switching Option - (not shown) Please see p. 7 for details.

14. Photocell Option - (not shown) Photocell is available for all pole and arm mounting configurations except Wall Mount (SW) and Single Pole Adapter (SA). Available in 120V through 277V. For 347V, please consult factory. Please see p. 5 for details.

15. Internal Step-down Transformer - (not shown) Step-Down Autotransformer for 347V and 480V.

Exterior Luminaire Finish - Selux utilizes a high quality Polyester Powder Coating. All Selux luminaires and poles are finished in our Tiger Drylac certified facility and undergo a five stage intensive pretreatment process where product is thoroughly cleaned, phosphated and sealed. Selux powder coated products provide excellent salt and humidity resistance as well as ultra violet resistance for color retention. All products are tested in accordance with test specifications for coatings from ASTM and PCI.

Standard exterior colors are White (WH), Black (BK), Bronze (BZ), and Silver (SV). Selux premium colors (SP) are available, please specify from your Selux color selection guide.

5 Year Limited LED Luminaire Warranty - Selux offers a 5 Year Limited Warranty to the original purchaser that the Avanza 450 luminaire shall be free from defects in material and workmanship for up to five (5) years from date of shipment. This limited warranty covers the fixture, LED driver and LED light engine when installed and operated according to Selux instructions. Fixture suitable for ambient temperature of 40° C (104° F). For details and exclusions, see "Selux Terms and Condition of Sale."

Listings and Ratings: Luminaire tested to IESNA LM-79-08 and LED tested to LM-80 test standards at 25° C ambient temperature.

Selux Corp. © 2014
TEL (845) 834-1400
FAX (845) 834-1401
www.selux.us
AV4-0414-01 (ss-v1.3)

NRTL Listed (i.e. UL, CSA)

Union Made Affiliated
with IBEW Local 363



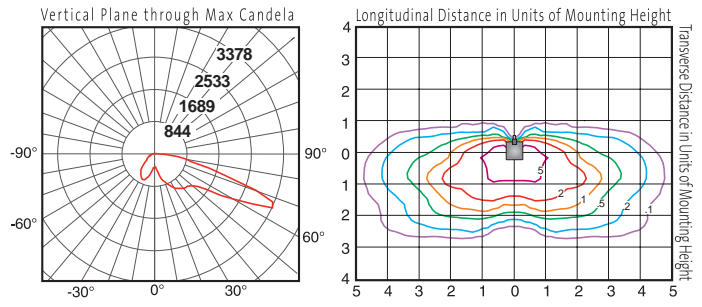
In a continuing effort to offer the best product possible, we reserve the right to change, without notice, specifications or materials that in our opinion will not alter the function of the product. Specification sheets found at www.selux.us are the most recent versions and supersede all other printed or electronic versions.

Photometry

R3W Optics / 1050 mA / 4000K CCT
Catalog # AV4-S1-0°-L105-R3W-40-120
Report # LM-63-1995

- Ideal for applications requiring linear distributions.
- Maximum candela of 3378 at 67.5° from vertical.
- IES classification = Type III Wide
- 4274 Delivered Lumens with 76 lm/W
- IDA-Approved™ dark sky friendly.
- BUG Rating: B1-U0-G1

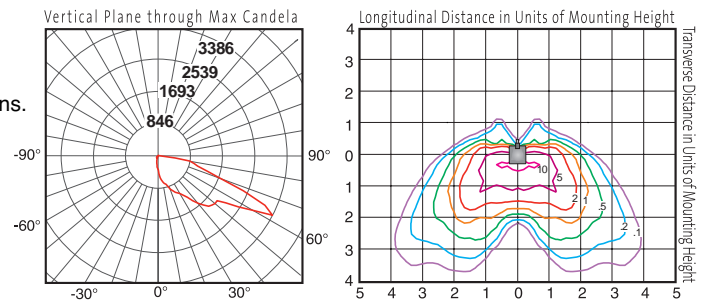
DOWNLOAD IES FILE:
http://www.selux.us/fileadmin/us/photometry/Exterior/Architectural_Post_Top/Avanza_450.zip



R3N Optics / 1050 mA / 4000K CCT
Catalog # AV4-S1-0°-L105-R3N-40-120
Report # LM-63-1995

- Ideal for applications requiring asymmetrical forward-throw distributions.
- Maximum candela of 3386 at 60° from vertical.
- IES classification = Type III Narrow
- 4275 Delivered Lumens with 76 lm/W
- IDA-Approved™ dark sky friendly
- BUG Rating: B0-U0-G1

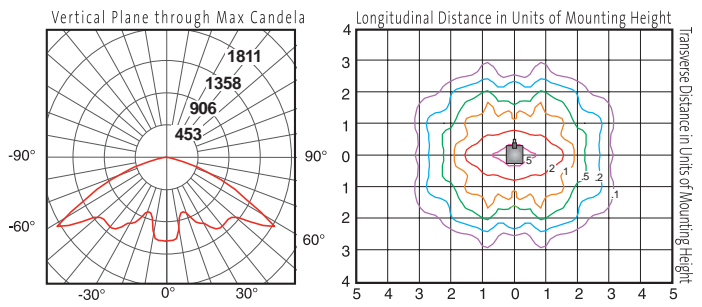
DOWNLOAD IES FILE:
http://www.selux.us/fileadmin/us/photometry/Exterior/Architectural_Post_Top/Avanza_450.zip



R5 Optics / 1050 mA / 4000K CCT
Catalog # AV4-S1-0°-L105-R5-40-120
Report # LM-63-1995

- Ideal for applications requiring symmetrical distributions.
- Maximum candela of 1811 at 57.5° from vertical.
- IES classification - Type V
- 4316 Delivered Lumens with 77 lm/W
- IDA-Approved™ dark sky friendly.
- BUG Rating: B2-U0-G2

DOWNLOAD IES FILE:
http://www.selux.us/fileadmin/us/photometry/Exterior/Architectural_Post_Top/Avanza_450.zip



Conversion Chart	
Values based on 16' (4.9 m) mounting height.	
Mounting Height	Multiply
10' (3.0 m)	1.27
12' (3.7 m)	1.16
14' (4.3 m)	1.07
16' (4.9 m)	1.00
18' (5.5 m)	0.84

LED Information

(Based on R5 Optics)

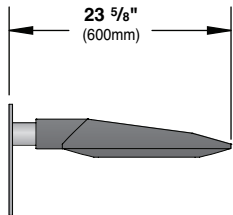
	Neutral White (4000K)		Warm White (3000K)	
	L105	L700	L105	L700
Performance				
Delivered Lumens	4316	2796	3600	2332
Wattage	56	38	56	38
Delivered Lumens per Watt	77	74	65	62
Photometric Performance				
Optics	Lenses		Lenses	
Distribution	Type V		Type V	
Dark Sky / Full-Cutoff	Yes		Yes	
LED Specifications				
# of Emitters	16		16	
Color Temperature (CCT)	4000K		3000K	
CCT Tolerance (by LED manufacturers)	± 7%		± 7%	
CRI	>80		>80	

Single Arm Mounting

SW Short Arm Wall Mount

EPA= 0.6 ft² (0.06m²)

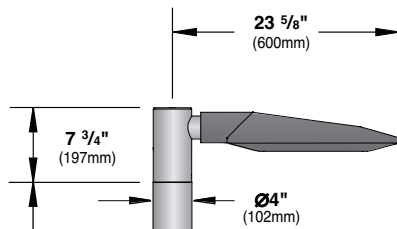
Weight= 21.6 lbs. (9.8kg)



S1 Single Short Arm

EPA= 0.8 ft² (0.07m²)

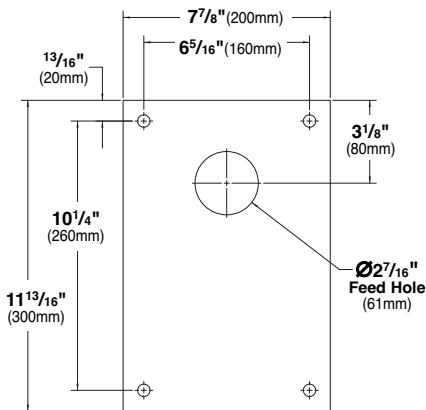
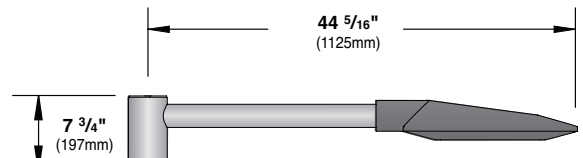
Weight= 21.6 lbs. (9.8kg)



L1 Single Long Arm

EPA= 1.2 ft² (0.11m²)

Weight= 33.2 lbs. (15.1kg)



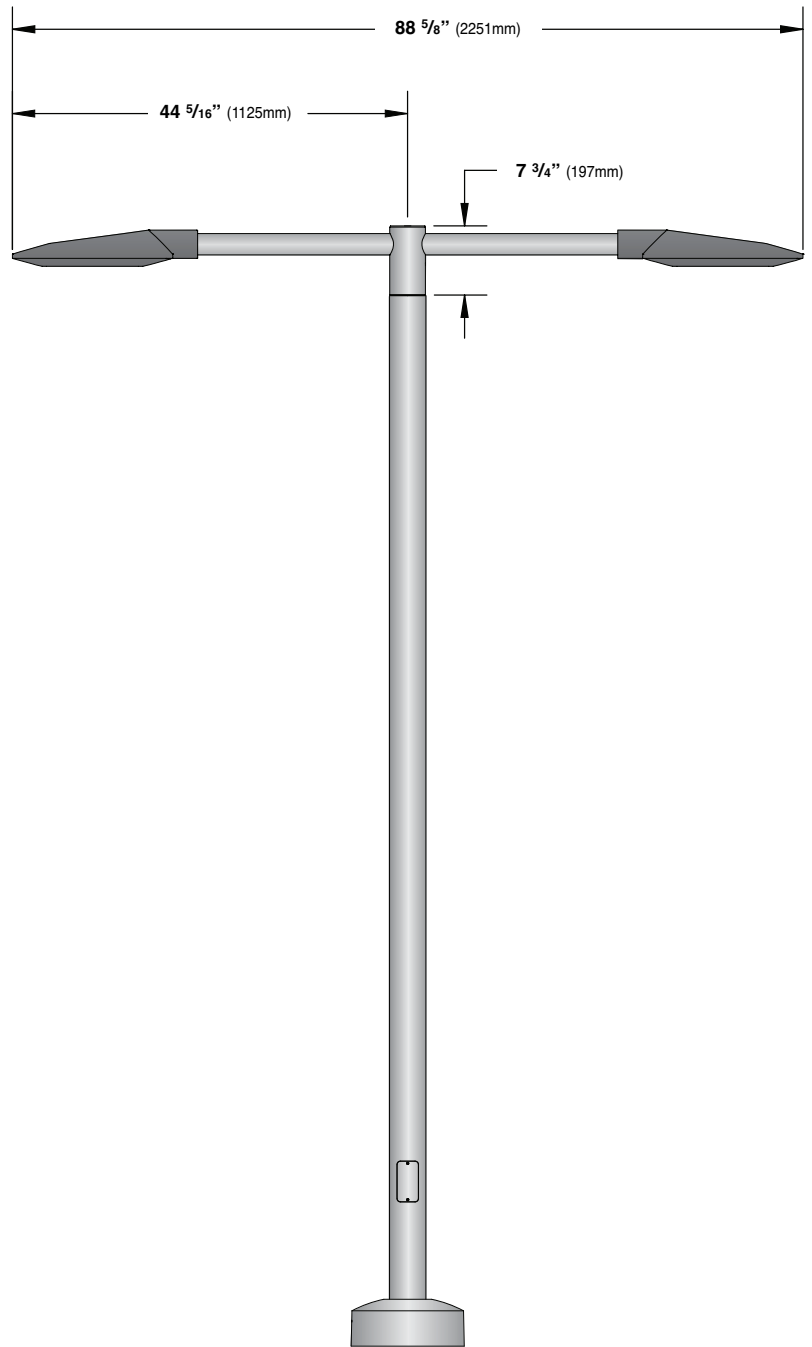
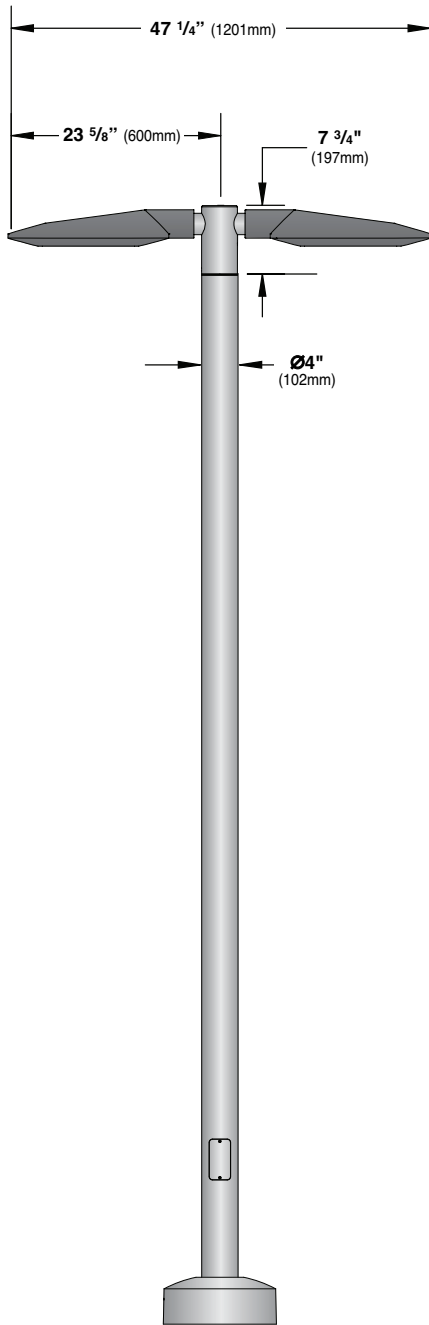
Pole Height: 12' (3658mm) shown

Pole Height: 12' (3658mm) shown

Double Arm Mounting

S2 Double Short Arm
EPA= 1.3 ft² (0.12m²)
Weight= 43.2 lbs. (19.6kg)

L2 Double Long Arm
EPA= 2.2 ft² (0.2m²)
Weight= 60.9 lbs. (27.7kg)

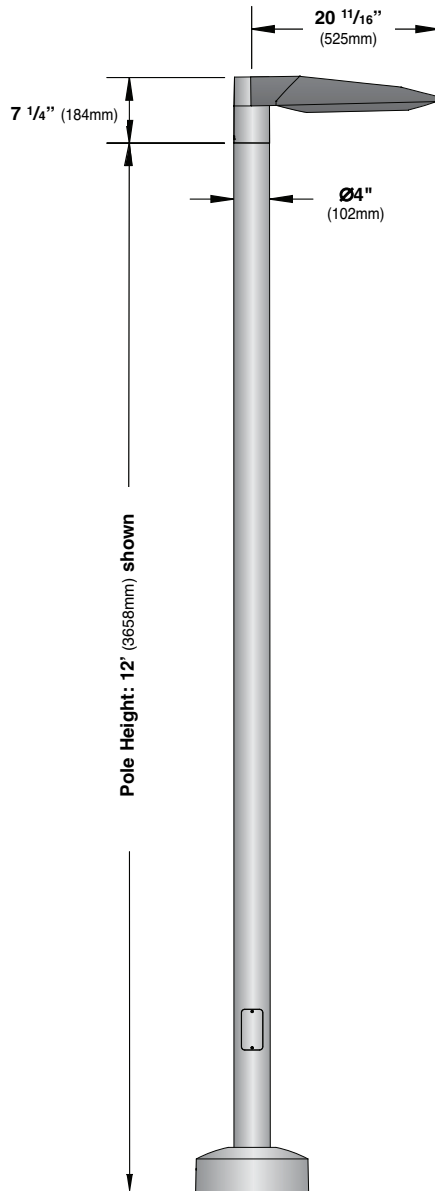


Single Pole Adapter

SA Single Pole Adapter (Not available at 5°)

EPA= 0.7 ft² (0.07m²)

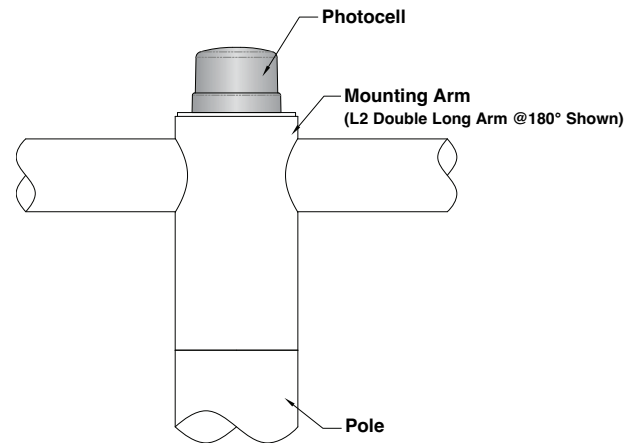
Weight= 18.7 lbs. (8.5kg)



Option Details

Photocell (PC) Detail

Note: Photocell is available for all pole and arm mounting configurations except Single Pole Adapter (SA) and Wall Mount (SW). Available in 120V through 277V. For 347V, please consult factory.



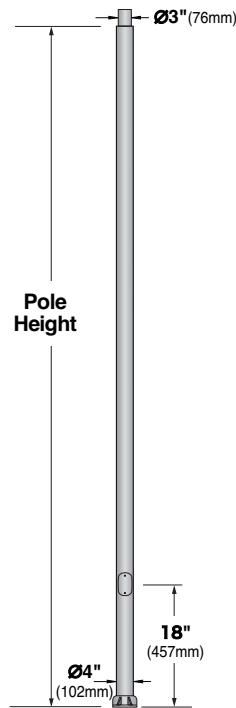
Pole Information

Refer to pole specification sheets for construction details, anchorage information and additional options.

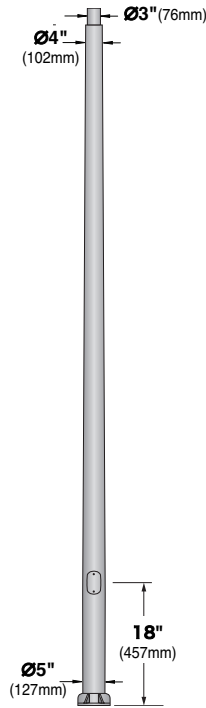
Optional Base Covers for Poles

Die cast aluminum, two-piece field installable base covers.

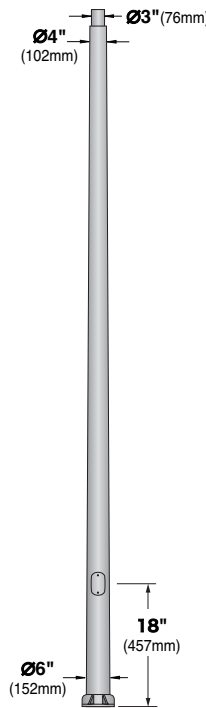
A40
4" Straight Aluminum Pole



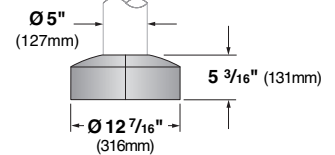
AT54
Tapered Aluminum Pole



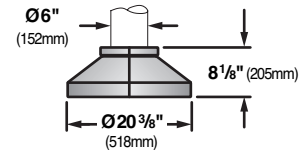
AT64
Tapered Aluminum Pole



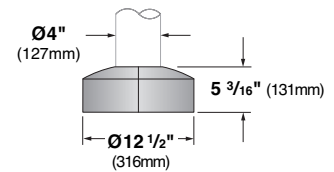
BC3 (AT54)



BC9 (AT64)



BC13 (A40)



Pole Series	Bolt Circle	EPA Information (ft ²)					Height	Finish	Options
		70 mph	80 mph	90 mph	100 mph	110 mph			
A40 4" Straight Aluminum Pole	7 1/2"	6.2	4.3	3.0	2.2	1.7	12 12 ft.	WH White	BC3 Die Cast Base Cover (AT54 pole only)
A40 4" Straight Aluminum Pole	7 1/2"	4.6	3.0	1.9	1.2	0.9	14 14 ft.	BK Black	BC9 Die Cast Base Cover (AT64 pole only)
AT54 5" to 4" Tapered Aluminum Pole	9 1/2"	18.5	13.7	10.5	8.4	6.8	12 12 ft.	BZ Bronze	BC13 Die Cast Base Cover (A40 pole only)
AT54 5" to 4" Tapered Aluminum Pole	9 1/2"	15.5	11.3	8.5	6.7	5.4	14 14 ft.	SV Silver	REC GFCI Receptacle with weather-proof cover*
AT54 5" to 4" Tapered Aluminum Pole	9 1/2"	12.6	9.0	6.7	5.2	4.1	16 16 ft.	SP Specify Premium Color	REC2 GFCI Receptacle with weather-proof in-use cover*
AT64 6" to 4" Tapered Aluminum Pole	9 1/2"	20.0	20	16.3	13.1	10.7	12 12 ft.		T30 3" Tenon (required for Avanza)
AT64 6" to 4" Tapered Aluminum Pole	9 1/2"	20.0	17.7	13.7	10.9	8.9	14 14 ft.		
AT64 6" to 4" Tapered Aluminum Pole	9 1/2"	19.0	14.1	10.8	8.6	7.0	16 16 ft.		

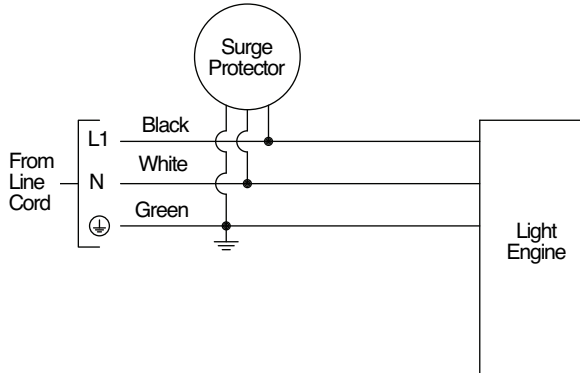
Allowable EPA Calculated according to AASHTO 1994 and include allowance for 1.3 gust factor. See Mounting Configuration Pages for fixture arm weight and EPA values.

* Weatherproof cover intended for portable tools or other portable equipment connected to the outlet only when attended. For other requirements please consult factory.

Wiring

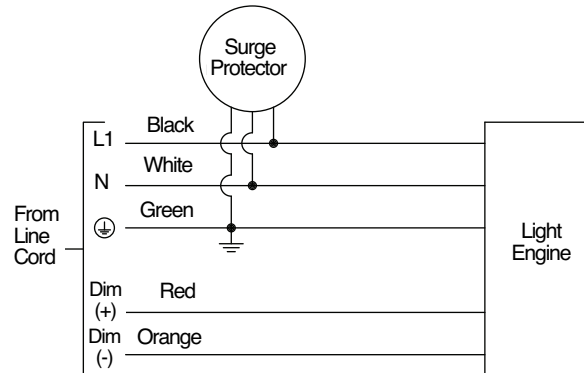
Standard Wiring for 120-277V

Standard wiring for 120-277V with no additional options.



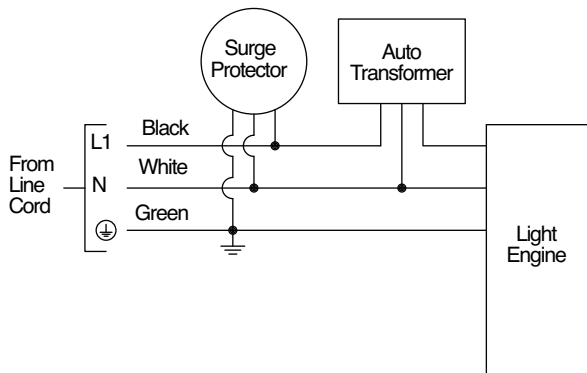
0-10V Dimming Option (DM) Wiring for 120-277V

100% light output at 10V, down to 10% light output at 1V or less.



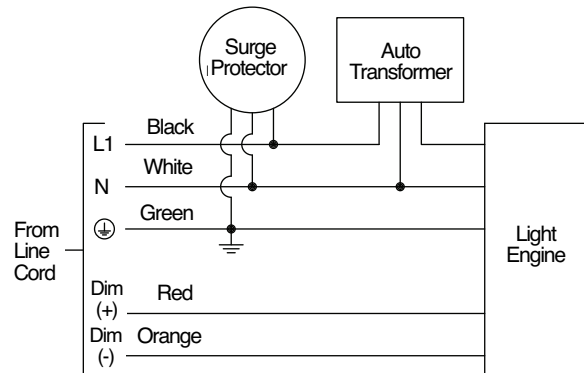
Standard Wiring for 347/480V

Standard wiring for 347/480V with no additional options.



0-10V Dimming Option (DM) Wiring for 347/480V

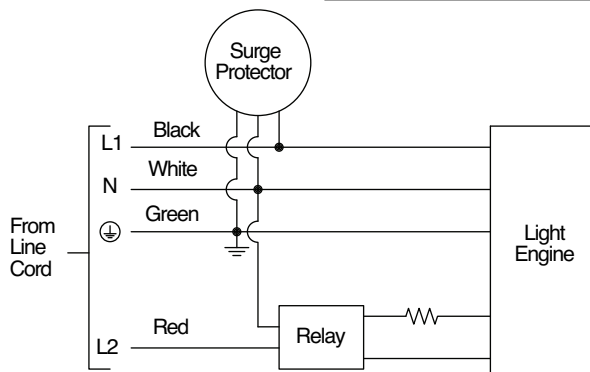
100% light output at 10V, down to 10% light output at 1V or less.



Hi-Lo Switching Option (HLxx) Wiring

120/240/277V. When red is energized, light output will be at "Lo" level. Specify the "Lo" output level by selecting from the table below. For other percentage output levels, consult factory.

Standard Hi-Lo Options			
Hi-Lo Section	Low Output Level	Light Engine	
		L105	L700
HL70	70%	X	
HL50	50%	X	



Photocell Wiring

Photocell is available for all configurations except short arm wall mount (SW), single pole adapter (SA). Available in 120V through 277V. For 347V, please consult factory.

